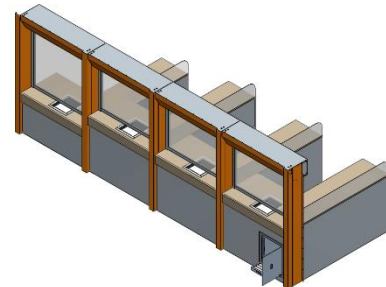
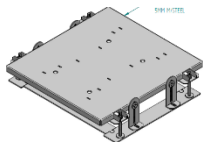
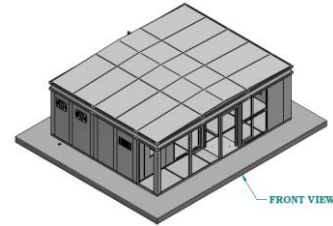
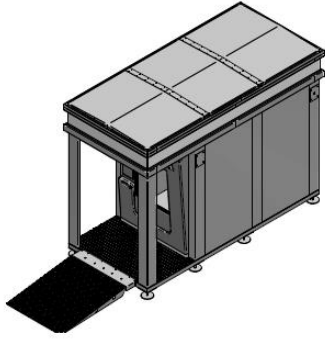
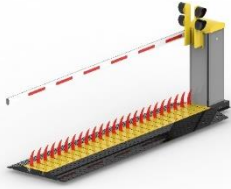
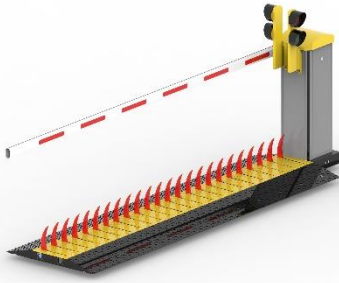




ITAS Other Security Products





Boom and Spike barriers

We produce a range of Boom barriers, surface mount spike barriers and recessed spike barriers from 3 to 6 m length

Turnstiles

- 3 and 4 arm single
- Single Mantrap turnstile
- 3 and 4 arm double turnstiles

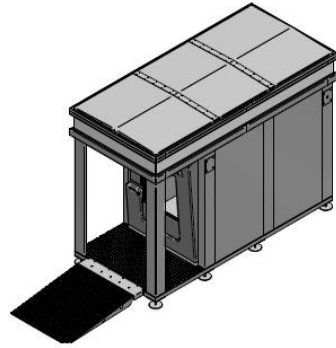


ATM Protector

ATM protector comes in an Anti-Bandit or Blast resistant version and is designed to protect ATM's by closing of the access to the ATM. This can be done automatically on a time base or remotely when unrests are present in the area. The unit will also automatically close when the ATM is out of service due to power failure and open again when power is restored

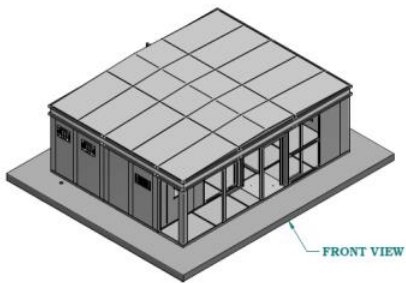
ATM Drop Down

Drop downs are made to customer specification
And can be equipped with an ATM Protector
Branding can be supplied to customer specification



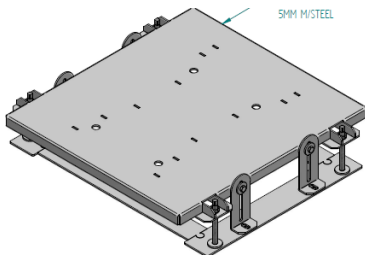
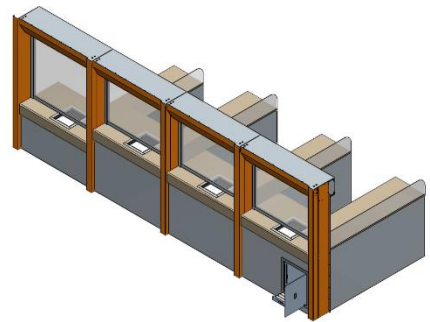
Mobile Banks

Mobile Banks make up a fully equipped branch in modular sections suitable for transport. Unit is build using ITAS' Agrément certified design



BRG Counters

BRG Counters are custom designed and be supplied in a variety of bullet and physical attack resistant levels



ATM Plinths

ATM Plinths can be supplied in an adjustable or Fixed height version and are customized to suit One or multiple models of ATM's

Intelligent Cash Trolley's

ITAS Intelligent Cash Trolley is fully electronically and monitored unit, functions include

- Remove from docking station using biometrics
- Removal of cash from deposit drawer only in secure area
- Alarm when left undocked for too long
- Connected to network for off site monitoring



controlled

Remote Locking Systems

Most ITAS access control products can be equipped with a remote locking system, so they can be controlled remotely via the network. This will prevent putting staff at risk by carrying keys or having to attend to a burglary alarm to give authorities access to investigate

TERMS AND CONDITIONS:

- 1. Quotation is valid for 14 Days.**
- 2. All Prices Are Excluding VAT**
- 3. 70% Non-Refundable Deposit Is Payable on acceptance of this quotation.**
- 4. Outstanding balance of 30% is Payable by means of EFT prior to delivery and installation date.**
- 5. If outstanding balance is not paid by the agreed delivery day, no equipment or products will be released.**
- 6. Client will have 72hrs to submit final payment from agreed delivery date, where after the client will forfeit all Deposits paid and Equipment will be returned to suppliers.**
- 7. Should the Client Accept the Complete Quotation in Full, an additional 5% Discount will be given.**
- 8. Should InteRisk be awarded the complete tender of all the clients Control Rooms, and additional 10% Discount will be given.**
- 9. Once client has accepted this quotation officially and accepted the Privacy and Non-Disclosure Terms, will the complete specifications be released to the customer.**
- 10. The following are not included and to be attended to by others if applicable:**
 - 11. Final finishes around unit**
 - 12. Level floor surfaces**
 - 13. Clean and constant 15Amp power points above equipment**
 - 14. Tiles and painting**
 - 15. Civil works not included**
 - 16. Electrical conduit requirements**
 - 17. Correct clear openings prior to installations**
 - 18. Safety Files, Inductions & Medical Tests not included**
 - 19. Site Specific Safety File available @ R5000.00 per file**
 - 20. Building in of Strong Room Door & Anti Bandit Doors**

Work to be attended to during normal working hours. Additional Trips will be charged.

**We thank you for the opportunity to quote, and look forward to your further advices.
Should you require any further details please contact me.**

We thank you for the opportunity to quote, and look forward to your further advices. Should you require any further details please contact me.

If we can be of any assistance in ensuring the success of your next project, please do not hesitate to call.

ALSO PLEASE FEEL FREE TO ENQUIRE ABOUT OUR NEW PRODUCTS AND SERVICES RANGE.

KOPANENG SECURITY NOW SUPPLIES ALL SECURITY, SAFETY AND RISK PRODUCTS.

Please Note: All Prices and Services are subject to approval and stock availability.

Prices and Services can change without any notice.

WIFI / Fiber / Network on stable connection.

I hope you find this email in order and looking forward to your response.

Andre vd Westhuizen

andre@kopanengsecurity.co.za

076 164 4080

Christelle vd Westhuizen

christelle@kopanengsecurity.co.za

079 887 2053